



Water pump production

NORM SERIES PUMPS

NSP Series, Single Stage
Centrifugal pumps

NSP Series

SINGLE STAGE CENTRIFUGAL PUMPS

NSP Series Pumps

It is designed for pumping non-corrosive, clean or very lightly soiled, low viscosity liquids without solid particles and fibers.

Business Information

NORM HIDROFOR POMPA NSP 100/200 55KW

Price 5 450 Euro

(*TAX not included)

(*Transport not included)



Suction Flange	DN 50 / DN 300
Press Flange	DN 32 / DN 250
Q (Flow)	1700 m ³ / h '(max)
H (Head Height)	100 m (max)
Speed (Engine Speed)	1450 rpm. - 2900 rpm / a - up to 3600 rpm
t (Operating Temperature) *	-10 ° C (min.) / + 140 ° C (max.)
Pd (Body Pressure)	(10-16 bar)
Direction of rotation (engine)	Clockwise (Right)

(*)Depending on the type of liquid, operating temperature and pressure, the pump material differs. Please contact our company for detailed information.

Technical Particularly

- Horizontal shaft, single stage, end suction, closed impeller, snail centrifugal pumps.
- Body dimensions conform to TS EN 733 standards.
- NSP type pumps have maintenance-free closed type ball bearings.
- Shaft seal is provided by soft seal and it can be produced in mechanical seal pumps according to the type of fluid and liquid.
- 25 non-standard models in addition to 29 models in accordance with TS EN 733 standards.
- The dimensions of non-standard models may differ from those of other manufacturers.
- Suction and discharge flanges comply with TS EN 1092-2 / PN 16.
- Thanks to the rear detachable design, the bearing group, packing seat, pump shaft and impeller can be removed without disconnecting the snail from the piping.
- All impellers are dynamically balanced according to ISO 1940 grade 6.3.
- The axial force is balanced by the rear wear ring / balancing holes system.

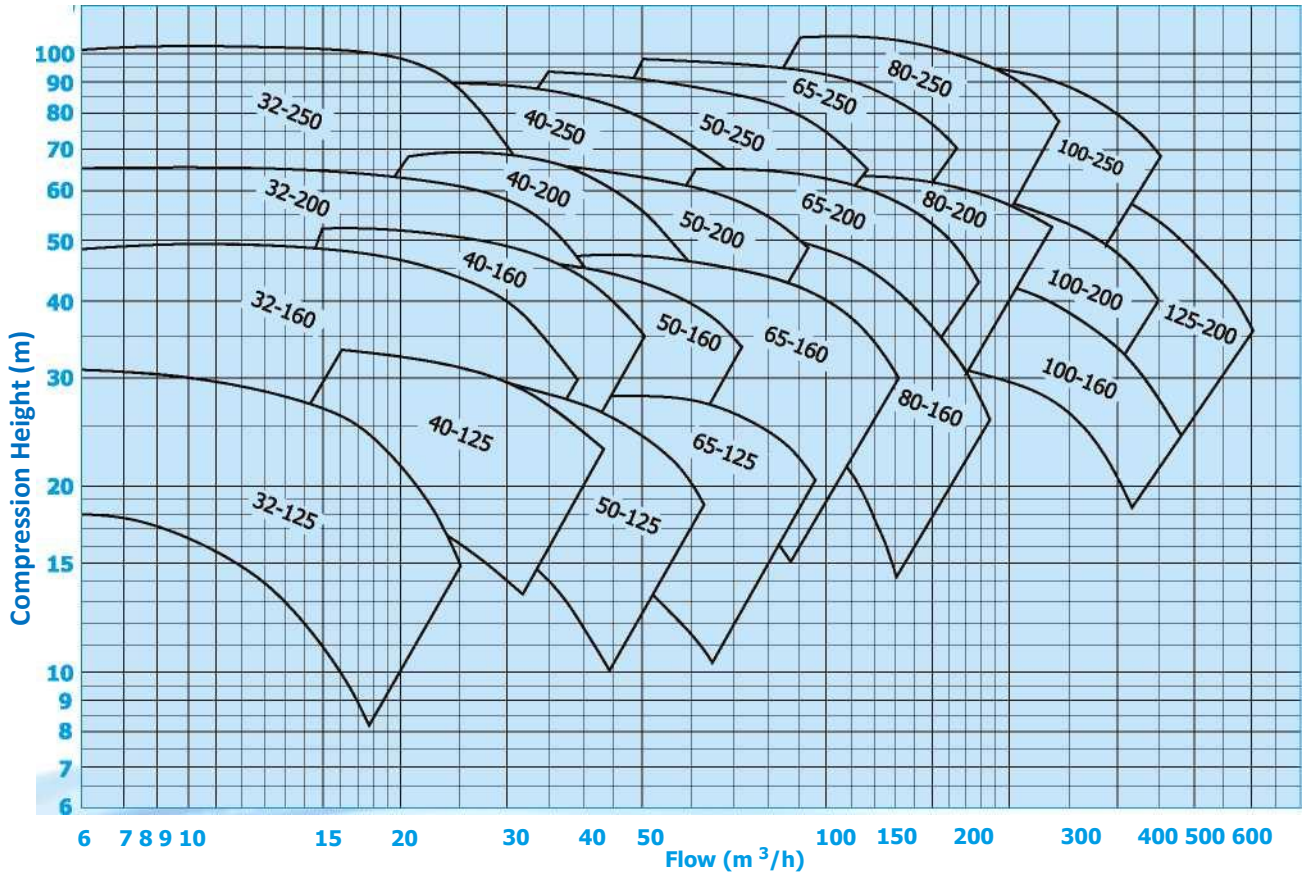
Pump Description

NSP 100/200

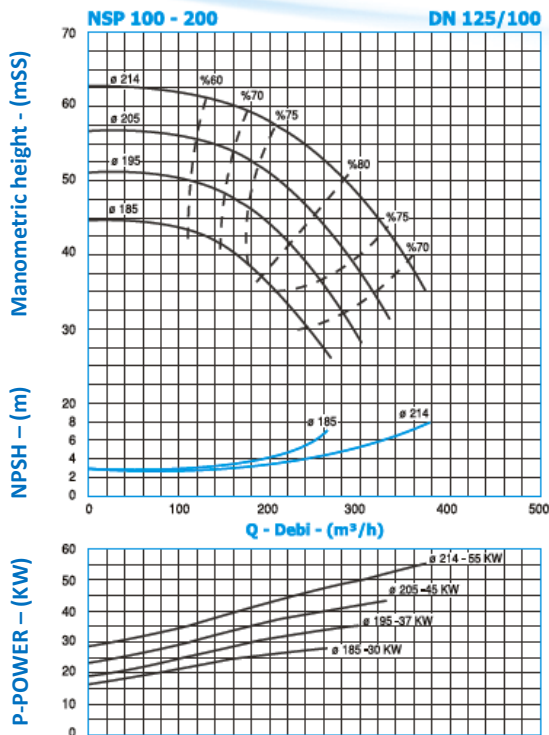
Pump Type

Pressure Flange DN (mm) Impeller Rated Diameter (mm)

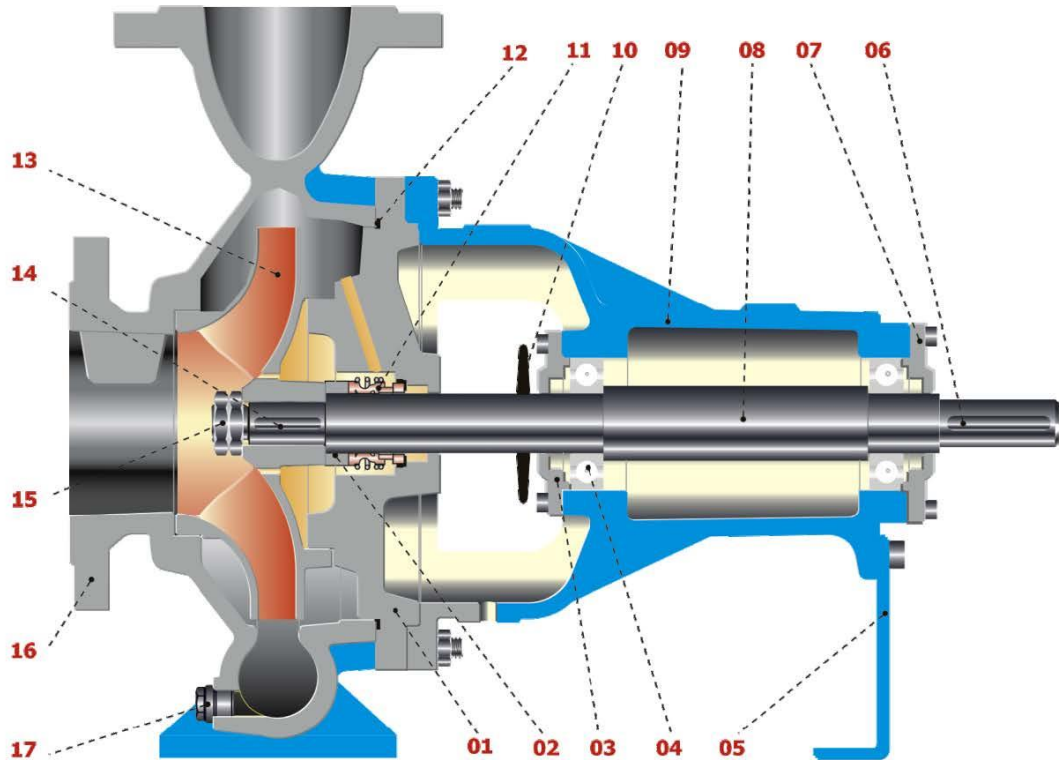
PERFORMANCE AREAS



Characteristic Curves (2900 D / Min)

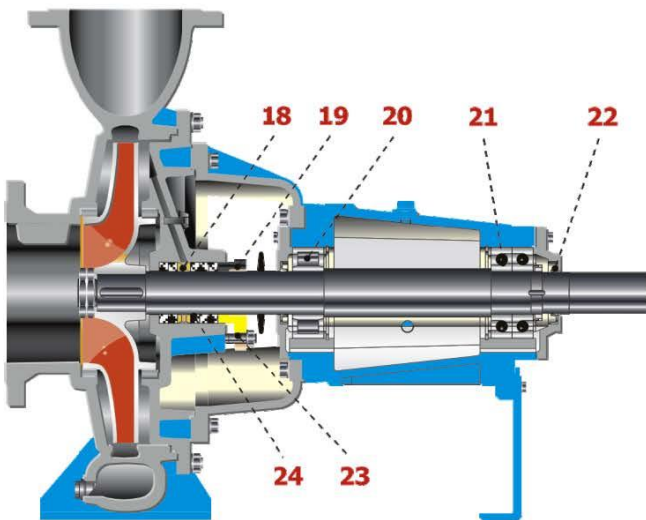


DISCIPLINE

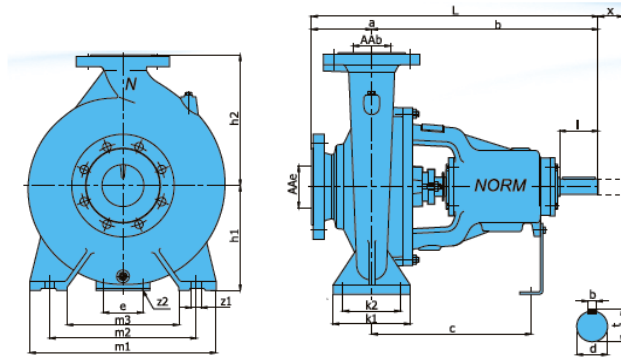


Parts List

- 01 Body Cover
- 02 Spacer Bushing
- 03 Bearing Cover
- 04 Deep Groove Ball Bearing
- 05 Support Foot
- 06 Coupling Wedge
- 07 Bearing Cover
- 08 Pump Shaft
- 09 Bearing Cage
- 10 Water Splash Disc
- 11 Mechanical Seals
- 12 O-Ring
- 13 Wheel
- 14 Wheel Pin
- 15 Wheel Nut
- 16 Snail Body
- 17 Drain Plug
- 18 Watering Ring
- 19 Stamping (Glen)
- 20 Cylindrical Roller Bearing
- 21 Angular Contact Ball Bearing
- 22 Oil Seal
- 23 Glen Stud and Nut
- 24 Soft Shaft Seal
- 25 Body Bearing Bearing Stud
- 26 Nuts

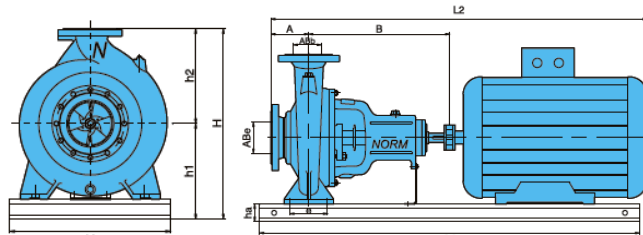


TECHNICAL INFORMATION



DIMENSIONS

Pump type	External Dimensions							Foot Connection Dimensions							Shaft Tip				Dec		
	AAe	AAb	a	b	L	H1	h2	k1	k2	m1	m2	m3	z1	e	z2	c	d	I	t	b	X
100-200	125	100	125	470	595	200	280	160	120	360	280	200	19	110	14	330	35	80	38	10	140



TYPE	KW	IEC	AAe	AAb	A	B	L2	M	L1	e	ha	h1	h2	H
100-200	55	250M	125	100	125	470	1495	510	1290	90	120	370	280	650

The dimensions of the pumice may vary depending on the electric motor and the motor type.

Material Options

Name of the Part	MATERIAL					
	Standard Material	Bronze Material	Complete Bronze	stero Casting	Steel Casting	Stainless Steel
Snail Trunk	GG 25	GG 25	Bronze	GGG 40	GS-C25	SS 304-316
Back cover	GG 25	GG 25	Bronze	GGG 40	GS-C25	SS 304-316
Wheel	GG 25	Bronze	Bronze	GGG 40	GS-C25	SS 304-316
Glen	Bronze	Bronze	Bronze	Bronze	Bronze	SS 304-316
Wear Ring (*)	Bronze (*)	GG 25 (*)	GG 25	Bronze	Bronze	X20Cr13
Pump Shaft	X20Cr13	X20Cr13	X20Cr13	X200Г13	SS 304-316	SS 304-316
Shaft sleeve (**)	X20Cr13(**)	X20Cr13(**)	X20Cr13(**)	X20Cr13(**)	X20Cr13(**)	X20Cr13(**)
Bearing housing	GG 25	GG 25	GG 25	GGG 40	GS-C25	SS 304-316
Bearing Cover	GG 25	GG 25	Bronze	GGG 40	GS-C25	SS 304-316

Material Selection Table

Parts List	0.6025	0.7040	1.Q619	1.4308	1.4408	1.4409	1.4517	1.4469	2.1050.01	1.0503	1.4021	1.4301	1.4306	1.4401	1.4404	1.4462
Snail Trunk	•	o	o	o	o	o	o	o	o							
Housing cover	•	o	o	o	o	o	o	o	o							
Wheel	•	o	o	o	o	o	o	o	o							
Shaft	•									•	o	o	o	o	o	o
Wear ring (Body) Shaft	o	o	o	o	o	o	o	o	o	o	o	o	o	o	o	o

(*) selector: Depending on buyer's request or operating conditions, mechanical seal of different types and brands can be used.

• Standard manufacturing
o Optional

Flange Dimensions

Pompa Type	Suction & Pressing (PN16)			
D2	D1	X	z	
32	140	100	18	4
40	150	110	18	4
50	165	125	18	4
65	185	145	18	4
80	200	160	18	8
100	220	180	18	8
125	250	210	18	8
150	285	240	23	8
200	340	295	23	12
250	405	355	23	12
300	460	410	28	12

